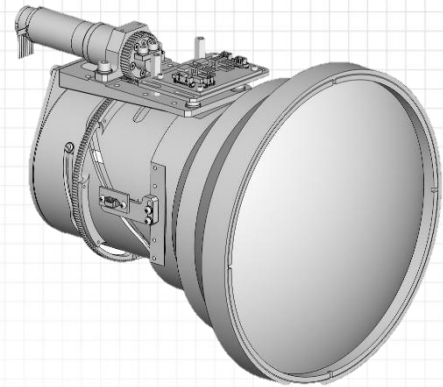


LWIR Dual/Triple FOV – Commercial off the shelf lens

SHARK

LWIR 85/190 mm F/1.2 Dual FOV
Lens for 640x480x17 μ detectors



FEATURES / APPLICATIONS / CAPABILITIES

- Discrete zoom lens for medium range applications
- Excellent MTF performance
- Low F#

PARAMETER		VALUE	NOTES
Main	Sub		

🔍 OPTICAL			
Focal Length / F#		85/190mm, F/1.2	Nominal values
Detector (FPA) type / size		640 X 480 X 17 μ	
FOV (degrees)		Wide: 7.3°(H) x 5.8° (V) Narrow: 3.3°(H) x 2.6° (V)	
Optical Coatings			
	All internal surfaces	High efficiency AR coating	Average transmission: 80%
	Front surface	High durability AR coating	DLC is available upon request
Optical Total lens track		190mm	Nominal
⚙️ MECHANICAL			
Mechanical Back Focal Length		5.5 mm	Nominal
Focus / Zoom mechanism		Motorized	WFOV: 30m – Infinity / NFOV:100m- Infinity
Thru zoom boresight			Better than 0.15 mm
NFOV boresight retention			Better than 0.045 mm
Total Weight		2.3Kg	Nominal
Ext. Dimensions \varnothing x length (mm)		170 x 232	
💡 ELECTRICAL			
Power Input		12VDC, 3.0A	Nominal
Communication Protocol		RS-422 or 232 Full Duplex	Baud rate 19,200, n, 8, 1
🌿 ENVIRONMENTAL			
Operating / Storage Temperature		-25°C to +55°C / -40°C to +70°C	
Shock and Vibrations		Per applicable standard	
Front lens sealing		IP66	IP 67 By request