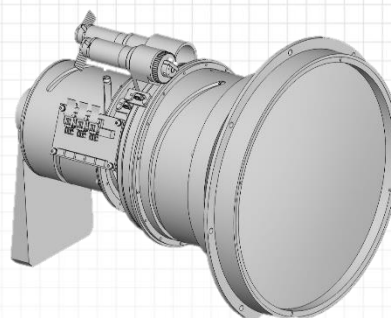


## LWIR Continuous zoom – Commercial off the shelf lens

# CONDOR

40 – 300mm F/1.5 Continuous zoom  
Lens for LWIR HD uncooled cameras



### FEATURES / APPLICATIONS / CAPABILITIES

- High performance lens for medium range surveillance systems at various applications
- Continuous optical zoom X7
- Longest focal length lens in LWIR uncooled zoom lens category
- Perfect for 24/7 medium range applications

PARAMETER		VALUE	NOTES
Main	Sub		

🔍 OPTICAL			
Focal Length / F#		40-300mm / F1.5	F# constant over zoom range.
Detector (FPA) type / size		640x480x17μ, 1024x768x17μ, 1280x1024x12μ	
HFOV (degrees)		Wide: 15° Narrow: 2.1°	For 640 x 480 x 17μ
		Wide: 24° Narrow: 3.3°	For 1024 x 768 x 17μ
		Wide: 21° Narrow: 3°	For 1280 x 1024 x 12μ
Optical Coatings			
	All internal surfaces	High Efficiency AR coating	Average transmission: 80%
	Front surface	Hard Carbon, DLC	HDAR is available upon request
Optical Total lens track		310mm	Nominal
Optical Back Focal Length		18mm	Nominal, to FPA
⚙️ MECHANICAL			
Mechanical Back Focal Length		18mm	Nominal
Focus / Zoom mechanism		Motorized	From 30 m to ∞ for Wide From 250 m to ∞ for Narrow
Thru zoom boresight		≤ 0.15 mm radius at focal plane	
NFOV boresight retention		≤ 0.045 mm radius at focal plane	
Total Weight		11Kg	Nominal
Ext. Dimensions ø x length (mm)		238 x 295	
💡 ELECTRICAL			
Power Input		12VDC, 3.0A	Nominal
Communication Protocol		Serial RS-422 or 232	Baud rate 19,200, n, 8, 1
🌿 ENVIRONMENTAL			
Operating/Storage Temperature		-25°C to +55°C / -40°C to +70°C	
Shock and Vibrations		Per applicable standard	
Front lens sealing		IP67	

\*All values accuracy is within ±5%